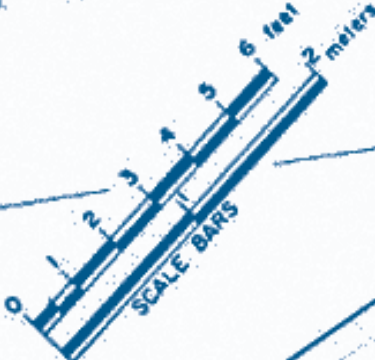


# FLIGHT DECK

ELEVATORS, METAL FRAMEWORK  
FABRIC COVERED,  
METAL TRIM TAB



**NOTE—**  
ONLY PROMINENT RIVETING AND  
PANELING SHOWN ON THESE DIMS.,  
ALL WERE NOT NECESSARILY  
TRANSFERRED FROM ONE VIEW  
TO ANOTHER.



FIXED METAL  
TRIM TAB, LEFT  
WING ONLY

ADJUSTABLE METAL  
TRIM TAB, LEFT  
WING ONLY

9'-3"

HORSESHOE "U"  
GUN MOUNT, ONE  
30 CAL. FLEXIBLE  
BROWNING M-2 GUN,  
NORMAL ARMAMENT,  
WITH 600 ROUNDS.

STEP PLATE  
HAND HOLD

FUEL FILL, 3 TANKS IN EACH  
WING STUB, 40 GALS TOTAL  
PER WING

FLAT ANTI-GLARE  
BLACK

**GENERAL**

WEIGHT EMPTY  
USEFUL LOAD  
GROSS WEIGHT  
TOP SPEED, 4,000 FPM  
2100 RPM  
OPERATING SPEED  
1840 RPM  
RANGE AT 7% THRUST  
LANDING SPEED, 40 MPH  
CLIMB, INITIAL, 3 L  
WING AREA (WINGS ONLY)  
WING LOADING  
POWER LOADING  
SERVICE CEILING  
ABSOLUTE CEILING

POWER: WRIGHT R-1  
RATINGS - 100 HP

COMPRESSION  
BLOWER  
HAMILTON STANDARD  
PROPELLER, R-1

30 CAL. FIXED BROWNING MACHINE GUN  
200 ROUNDS. DOTTED LINE INDICATES

**RESTAURANT & ARCADE**  
109 OLD CHAPIN ROAD :: LEXINGTON S.C. USA  
FLIGHTDECKRESTAURANT.NET

EST 1992



# CLEARED FOR TAKE OFF

REMOVE BEFORE FLIGHT

## ✦ CHORISITOS

Sausage pinwheels wrapped in puff pastry, baked & served with honey mustard. 8.75

## QUESADILLA

Grilled tortilla stuffed with bacon, mozzarella & cheddar cheeses served with picante, guacamole & sour cream. 9.95

## CHEESE STICKS

Mozzarella cheese sticks. Served with marinara sauce. 6.95

## FRIED GREEN BEANS

Served with ranch dressing. 8.95

## FRIED MUSHROOMS

Served with ranch dressing. 10.95

## ✦ WING AND A PRAYER

Served with celery and ranch or blue cheese. Half-dozen 11.25; Dozen 16.25

Wing flavor choices:

Flamethrower-Hot, Mild, Teriyaki, Terri-Hot, BBQ, Honey Mustard, or Lemon Pepper.

## BUCKET OF WINGS

(3 Dozen) Mix 'n' Match. 42.95  
Served with celery & ranch or blue cheese.

## ✦ NACHOS GRANDE

Nachos baked with homemade chili, mozzarella & cheddar cheese, topped with tomatoes and jalapeños and served over a bed of lettuce with picante, guacamole & sour cream.  
Small Nacho Grande 9.95  
Large Nacho Grande 12.95

## CHICKEN QUESADILLA

Grilled tortilla stuffed with chicken, bacon, mozzarella and cheddar cheese. Served with picante, guacamole & sour cream. 11.95

## ✦ BATTERED ONION RINGS

Served with honey mustard.  
Small order 5.25  
Large order 7.25

### ✦ Customer Favorites

# BELLY LANDING IN THE FIELDS

Our dressings are homemade with natural ingredients and no preservatives. Choose from: Blue Cheese, Honey Mustard, Parmesan-Peppercorn, Grecian, Thousand Island, & Ranch

## ✦ GREEK SALAD

Fresh salad topped with Greek feta cheese, onions, olives, tomatoes, pepperoncini peppers & homemade Grecian dressing. 11.25

## AMERICAN CHEF SALAD

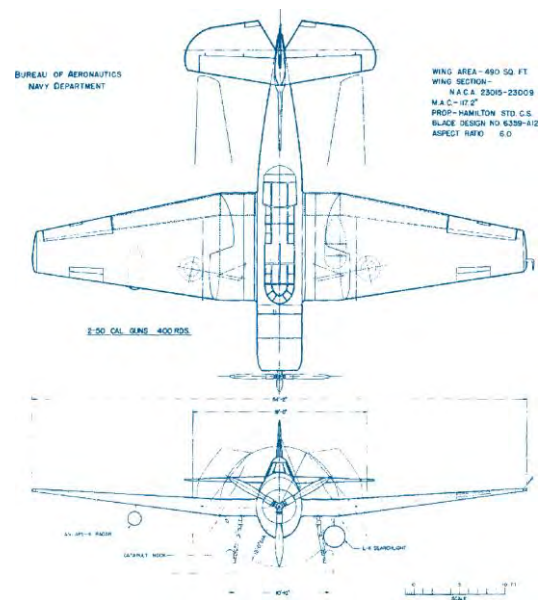
Topped with sliced turkey, ham, bacon, mozzarella & cheddar cheeses. 11.25

## ✦ FLIGHT DECK PRIMO

The Greek and American Chef salads combined. 12.25

## CHICKEN TENDER SALAD

Fresh salad topped with fried chicken tenders, mozzarella & cheddar cheese. 11.25



## SPRING CHICKEN SALAD

Fresh salad, strips of grilled chicken, mozzarella & cheddar cheeses. 11.95

## HOUSE SALAD

Fresh romaine lettuce, julienne carrots, red cabbage, onions and cherry tomatoes. 5.25

## ADD-ONS

Pepperoncinis, Feta & Olives 4.95  
Pita Bread 1.95  
Ham or Roast Beef 3.95  
Fried Chicken Strips 3.95  
Grilled Chicken 4.50  
Grilled Salmon 6.00

### ✦ Customer Favorites

# EUROPEAN THEATER

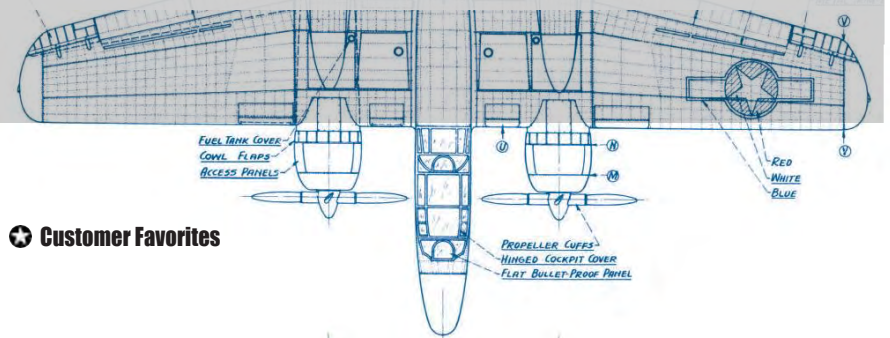
Served with a house salad or choice of side.

## ✦ CHICKEN CORDON BLEU

Tender breast of chicken, stuffed with smoked ham & swiss cheese, breaded & fried. Served with our cream sauce over a bed of rice or mashed potatoes. 11.95

## YA-YA'S LASAGNA

Our own recipe of layered lasagna pasta, homemade meat-sauce, mozzarella, provolone & cheddar cheeses. Served with garlic bread. 11.25



### ✦ Customer Favorites

# PAPPY'S SPECIALTIES

Served with your choice of two sides.

## ★ RIBEYE STEAK\*

Charbroiled, Angus Beef 10 oz. Ribeye Steak. 19.95

## ★ FRESH GRILLED SALMON\*

8 oz. cooked to order fillet of salmon, seasoned with lemon, butter & Greek spices. Grilled to perfection. 17.95

## GRILLED CHICKEN DINNER\*

Choice of one or two juicy, boneless, grilled & seasoned breast of chicken.  
Single breast 10.95  
Double breasts 13.95

## ★ CHICKEN STIR FRY

Grilled chicken with oriental vegetable mix, sautéed in teriyaki glaze & served on a bed of rice with one side. 11.95

## HAMBURGER STEAK\*

8 Oz. Ground steak burger topped with grilled onions & provolone cheese. 11.95

## BAKED STUFFED FLOUNDER

Two flounder fillets, with crab-meat stuffing, basted with butter & baked. Served with hush puppies. 16.95

## GRILLED PORK CHOPS\*

Choice of one or two "Center Cut" pork chop dusted with spices then served with hot garlic butter sauce.  
Single pork chop 11.95  
Double pork chops 14.95

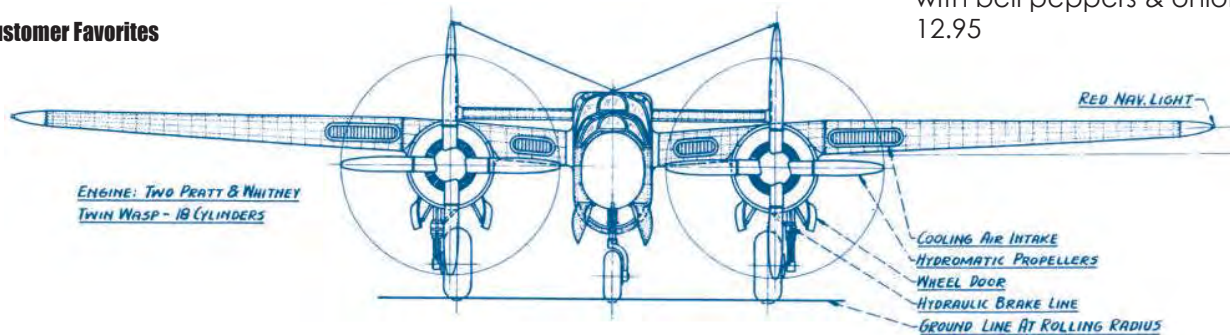
## "LEAD SLED"

Roast-beef platter, open face on toasted sourdough bread topped with seasoned brown gravy. 11.95

## ★ SHISH-KABOBS\*

Two grilled chicken tenderloin kabobs skewered with bell peppers & onions. 12.95

## ★ Customer Favorites



*\* Consumer advisory: Consuming raw or under-cooked meats, poultry, seafood, shellfish or eggs, may increase your risk of food-borne illness. Due to this concern, all meats are cooked to a minimum of 165 degrees or at least medium well.*

## BIRDS OF A FEATHER

All sandwiches served on a sesame seed bun & topped with lettuce, tomatoes, onions, mayo & mustard. Comes with your choice of one side.

## ★ P-38 LIGHTNING

Grilled chicken sandwich, topped with crispy bacon & provolone. 11.95

## SPITFIRE

Crispy country style fried chicken sandwich. 9.95

## TAILGUNNER

Grilled fillet of chicken sandwich. 9.95

## SOUTHERN CHICKEN TENDERS

Four or eight country fried chicken tenders. Served with honey mustard.

Four chicken tenders 9.95  
Eight chicken tenders 13.95

## ★ SPRUCE GOOSE

Grilled chicken sandwich topped with smoked ham & provolone cheese. 11.95

## WILDCAT\*

Cheeseburger topped with melted provolone. 10.95

## ★ FLYING FORTRESS\*

Topped with crispy bacon & provolone cheese. 11.95

## ★ LIBERATOR\*

Topped with sautéed mushrooms & provolone cheese. 11.95

## BEEF-52

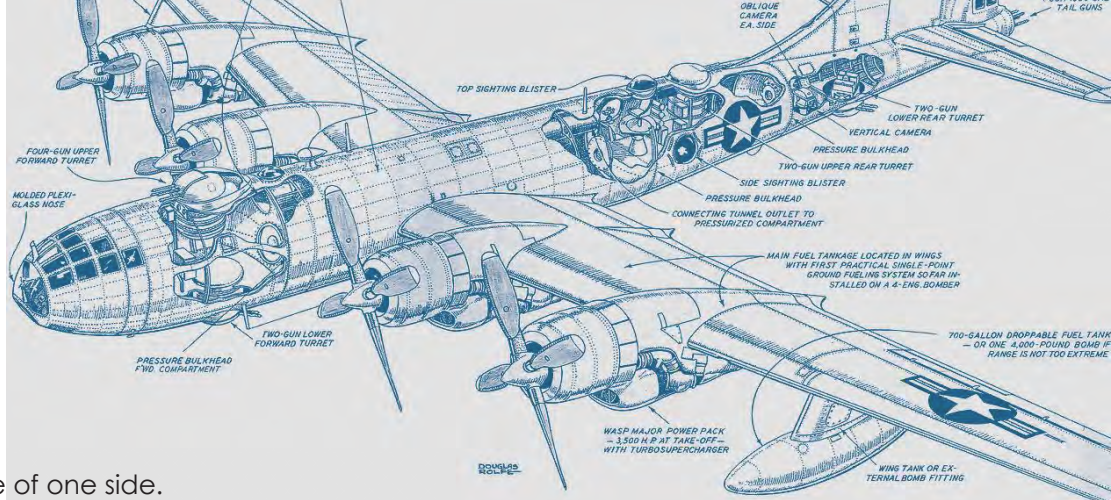
Fresh 6 oz. charbroiled ground steak burger served on a sesame seed bun & topped with lettuce, tomato, onions, mayo & mustard. Comes with your choice of one side.

## OUR STAFF WORKS HARD FOR YOU!

An 18% gratuity is added to parties with six or more people, large groups & private parties. Let us know how we did – good or bad – we want to know!

# HEAVY AIRCRAFT WITH CARGO

All selections come with a choice of one side.



## ★ RAIDER

6 oz. rib-eye steak\* served on sesame seed bun and topped with & topped with lettuce, tomatoes, onions, mayo & mustard. 11.95

## ★ CORSAIR

Baked French croissant with slices of ham, turkey, crispy bacon, provolone cheese, mayo & mustard. 10.95

## WARHAWK

Hot Italian hoagie sandwich with smoked ham, pepperoni, hard salami, & provolone cheese, with lettuce, tomatoes, onions, salt, pepper, & Grecian dressing on a hot hoagie. 10.95

## HAWKER FURY

Reuben sandwich on toasted rye bread with grilled corned beef & sauerkraut, topped with Swiss Cheese. Served with Thousand Island dressing. 10.95

## ★ PHILLY FLYER

Slow-cooked roast beef, grilled with sliced onions & bell peppers, topped with mozzarella on a hot Italian hoagie roll with mayo. 11.95

## ★ MARAUDER

Slow-cooked roast beef, grilled with sliced sautéed mushrooms, topped with mozzarella on a hot Italian hoagie roll with mayo. 11.95

## JUGGERNAUT

Aka, "The French Dip": Slow-cooked roast beef topped w/grilled onions, mozzarellacheese & served on a hot hoagie and au-jus. 11.95

## MEMPHIS BELLE

Homemade chicken salad on a baked French croissant & topped with lettuce, tomato & mayo. 10.75

## ★ STRATOLINER

Chicken Philly-grilled chicken with sliced onions & bell peppers, topped with mozzarella on a hot Italian hoagie roll with mayo. 10.95

## ★ CLASSIC GREEK GYRO

Grilled buttered pita bread, topped with sliced gyro beef, lettuce, tomatoes, onions & homemade "Tzatziki"- Greek cucumber sauce. 11.95

## AVENGER

Grilled buttered pita bread, loaded with diced chicken breast, lettuce, tomatoes, onions & homemade "Tzatziki"- Greek cucumber sauce. 11.95

## P-51 MUSTANG

A triple decker turkey bacon club sandwich on toasted sourdough bread, topped with lettuce, tomatoes, & mayo. 11.95

## THUNDERBOLT - B L T

Classic-Bacon, lettuce & tomato. Served on toasted sour dough bread with mayo. 9.95

★ Customer Favorites

## FLIGHT CADETS

### GRILLED CHEESE

Toasted sandwich with a mozzarella & cheddar cheese. Comes with one side. 6.25

### CHEESE PIZZA

Mozzarella cheese. 6.25

### PEPPERONI PIZZA

With mozzarella cheese. 7.25

### CHICKEN TENDERS

Three golden tenders served with your choice of a side and honey-mustard. 7.25

### "TORPEDO"

Corn dog with your choice of side. 6.95

### KID'S SPAGHETTI

Delicious! 7.25

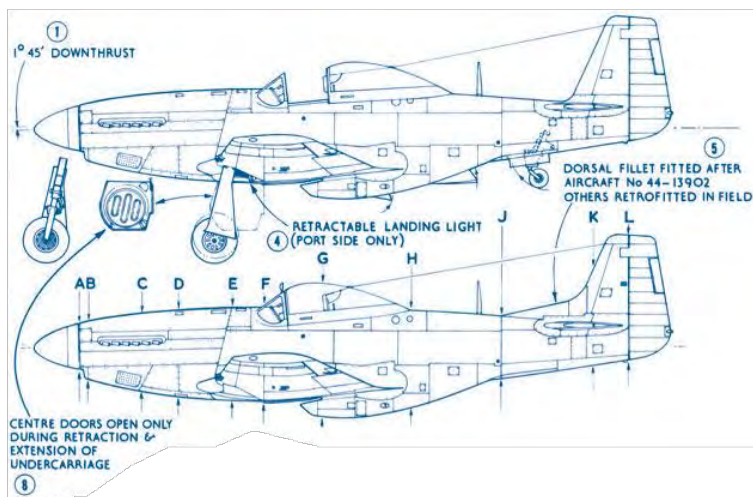
# BLUE PLATE SPECIAL

## One Entrée With Two Sides 9.95

Any choice of entrée and two sides.  
Add your choice of iced tea or coffee for 1.75. Add a soda for 1.95 extra. Add a side or a cookie for 1.50

## Veggie Plate 7.95

Choose four sides (mix or match). Add your choice of iced tea or coffee for 1.75. Add a soda for 1.95 extra. Add a side or a cookie for 1.50



## ENTRÉE CHOICES

### ★ ROASTED CHICKEN

¼ breast of chicken, white meat.

### COUNTRY FRIED STEAK

Topped with homemade sawmill gravy.

### COUNTRY FRIED CHICKEN

Topped with homemade sawmill gravy.

### HOMEMADE MEATLOAF

Order with either spicy tomato sauce or brown gravy.

### ★ POT ROAST

Slowly cooked to perfection.

### FRIED PORK CHOP

Center-cut & country fried.

### ★ FRIED CHICKEN

Golden fried two-piece dinner. Your choice: White (breast and wing) or Dark (thigh and drumstick).

### ★ CHICKEN TENDERS

Four golden tenders served with honey mustard.

### FRIED FLOUNDER

Served with hush puppies and tartar or cocktail sauce.

### ★ FRIED POPCORN SHRIMP

Served with hush puppies and tartar or cocktail sauce.

### HOMEMADE SPAGHETTI

Served with garlic bread.

## CHOICE OF SIDES

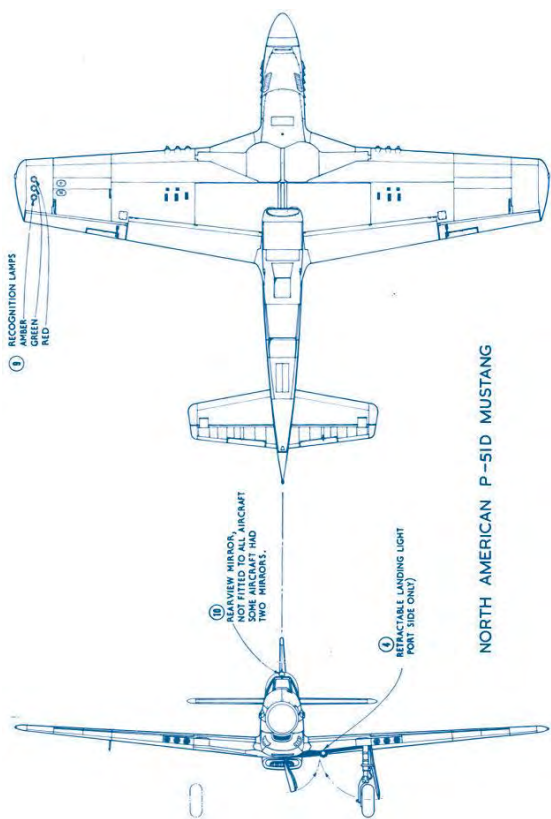
- French Fries
- Rice
- Collard Greens\*\*
- Potato Salad
- Honey Buttered Carrots\*\*
- Greek Potatoes\*\*
- Broccoli\*\*
- Lima Beans\*\*
- Corn\*\*
- Mac & Cheese
- Cole Slaw\*\*
- Sweet Potato Soufflé
- Fried Okra
- Cucumber Salad\*\*
- House Salad\*\*
- Sweet Potato Waffle Fries
- Mashed Potatoes & Gravy
- Green Beans\*\*

Substitute Onion Rings, Fried Eggplant or Baked Potato for 1.75 more.

\*\*Gluten Free

★ Customer Favorites

Ask our Managers about  
**Family Size Dinners and Catering Menu**  
starting at 9.95 per person.



# SOFT LANDING IN THE DRINK

## SOFT DRINKS

Coke, Diet Coke, Coke Zero, Sprite, Mr. Pibb, Root Beer & Pink Lemonade Free refills. 2.95

## KID'S SOFT DRINK

Free refills. 2.25

## FRESH ICED TEA

Free refills. 2.75

## HOT TEA

No free refills. 2.75

## HOT COFFEE

Regular or Decaff. Free refills. 2.75

## ICE COLD MILK

No free refills. 2.95

# SWEET THANG

## PREMIUM PIES

- Caramel Apple
- Caramel Pecan Fudge
- Key Lime Cheesecake
- Lemon Raspberry Cheesecake
- Manhattan Cheesecake
- Oreo Cheesecake
- Oreo Pie
- Reese's Cheesecake
- Reese's Pie
- Strawberry Cheesecake
- Snickers Blitz Pie
- Triple Chocolate Cheesecake
- Turtle Cheesecake

5.95 per slice

## PREMIUM CAKES

- Red Velvet Cake
- Coconut Cream
- Milky Way Galaxy
- Chocolate Overload
- Peanut Butter Explosion
- Carrot Layer Cake

7.95 per slice

## BAKLAVA

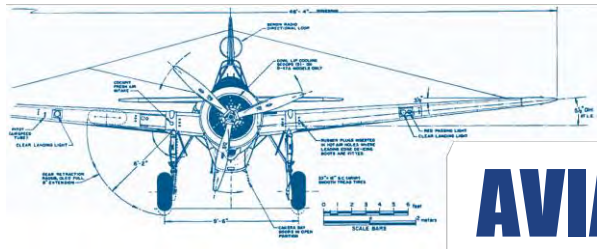
3.25 per slice

## FRESH BAKED COOKIES

- Chocolate Chunk Pretzel
- Double Chocolate Chunk
- Heath Bar
- Lemon Blueberry
- Peanut Butter
- Oatmeal Raisin
- Red Velvet
- White Chocolate Macadamia Nut

1.95 per cookie

10.95 Half Doz. / 20.95 Doz.



# AVIATION FUEL

## THE MIGHTY GRAPE

Wines By The Glass

### WHITE WINES

Pinot Grigio or Chardonnay

4.25

### BLUSH WINE

White Zinfandel 4.25

### RED WINES

Cabernet Sauvignon or Merlot

4.25

## PROP WASH

### DOMESTIC BEER

Bud Light, Yuengling, Budweiser, Michelob Ultra, Coors Light, Miller Lite

2.95 each

### PREMIUM BEER

Sam Adams Pale Ale, Blue Moon, Corona, Corona Light,

3.95 each

## HIGH OCTANE JET FUEL

### ✪ AFTERBURNER

Kahlua, Irish Cream & Grand Marnier. 6.95

### ANGEL'S WING

Pina Colada. 5.95

### BOMBER

Amaretto, Southern Comfort, & Pineapple Juice. 5.95

### FLYING GOOSE

Grey Goose Vodka, Melon Liquor, Pineapple Juice. 6.95

### ✪ FLYING SOLO

Drinks without alcohol. \$2.95

### MID AIR COLLISION

Kahlua, Irish Cream, Amaretto & Rum. 7.95

### ✪ ROCKET FUEL

Long Island Iced Tea. 7.95

### SHOOTING STAR

Amaretto, Vodka, Orange Juice, Cranberry Juice. 5.95

### ✪ SLIP-STREAM

Frozen Margarita. 5.95

### ✪ TIGERCAT

Frozen Strawberry Daquiri. 5.95

THANK YOU FOR YOUR BUSINESS AND GOD BLESS

[www.FlightDeckRestaurant.net](http://www.FlightDeckRestaurant.net)

✪ Customer Favorites